

53cm Self-Propelled Petrol Lawn Mower

IMPORTANT! PLEASE READ THESE INSTRUCTIONS CAREFULLY. NOTE ALL SAFETY INSTRUCTIONS AND WARNINGS. USE THE PRODUCT CORRECTLY AND WITH CARE FOR THE PURPOSE FOR WHICH IT IS INTENDED. FAILURE TO FOLLOW THESE INSTRUCTIONS MAY CAUSE DAMAGE TO PROPERTY AND/OR PERSONAL INJURY.

PLEASE KEEP THESE INSTRUCTIONS SAFE AND AVAILABLE FOR FUTURE REFERENCE.

TECHNICAL SPECIFICATION

Model	SSPPL53
Drive Type	Self-Propelled
Engine Type	DV224
Engine Displacement	224CC
Engine Speed	2800 RPM
Cutting Width	530mm
Cutting Height	25-75 mm
Front/Rear Wheel	8/10 inch
Grass Bag Capacity	60L
Sound Power Level (LWA)*	98 dB(A)

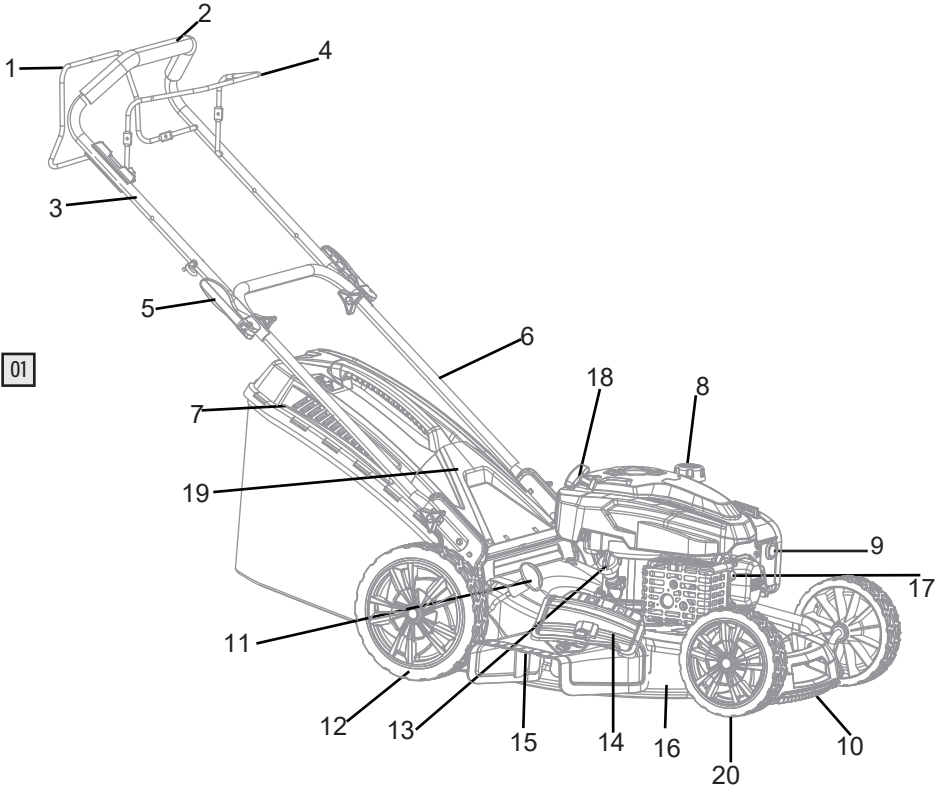
This petrol lawn mower has been designed for cutting home garden lawns.

The machine is to be used only for its prescribed purpose. Any other use is deemed to be a case of misuse. The user/operator will be liable for any damage or injuries of any kind caused as a result of this misuse.

Please note that our equipment has not been designed for use in commercial, trade or industrial applications, our warranty will be voided if the machine is used in commercial, trade or industrial businesses or for equivalent purposes.

COMPONENTS & CONTROLS

Fig 1



- | | | |
|--------------------------------|-----------------------------|--------------------------|
| 01. Drive lever (clutch lever) | 08. Fuel tank cap | 15. Side discharge chute |
| 02. Softgrip | 09. Primer | 16. Deck |
| 03. Upper handle | 10. Front decorative cover | 17. Spark plug boot |
| 04. Brake lever (stop lever) | 11. Height adjusting handle | 18. Starter handle |
| 05. Quick lock handle | 12. Rear wheel | 19. Rear discharge cover |
| 06. Lower handle | 13. Engine oil cap | 20. Front wheel |
| 07. Grass box | 14. Side discharge cover | |

IMPORTANT SAFETY INSTRUCTIONS

PLEASE READ THESE INSTRUCTIONS FULLY BEFORE ASSEMBLING AND OPERATING.

Symbols are used in the manual to attract your attention to the possible risks. The safety symbols and the explanations which accompany them must be perfectly understood. The warning themselves do not prevent the risks and cannot be a substitute for proper methods of avoiding accidents.

SAFETY SYMBOLS



WARNING - To reduce the risk of injury, user must read the instruction manual.



This symbol, before a safety comment, indicates a precaution, a warning or a danger. Ignoring this warning can lead to an accident for yourself or for others. To limit the risk of injury, fire or electrocution always apply the recommendations indicated.



Keep bystanders away.



Beware of sharp blades - remove spark plus lead before maintenance.

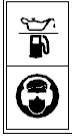


Never refuel while the engine is running.



Risk of injury. Do not open or remove safety shields while engine is running.

SAFETY SYMBOLS



Wear ear protection and eye protection when operating.



Hot surfaces will burn fingers or palms.



WARNING - The lawnmower exhaust gas contains toxic substances.
Do not run the engine in closed or poorly ventilated areas.



Guaranteed sound power level.



Confirms to relevant safety standards.



Waste electrical products should not be disposed of with household waste. Please recycle where facilities exist. Check your local authority or retailer for recycling advice.

IMPORTANT SAFETY INSTRUCTIONS

Training

1. Read the instructions carefully. Be familiar with the controls and the proper use of the equipment.
2. Never allow children or people unfamiliar with these instructions to use the lawnmower. Local regulations can restrict the age of the operator.
3. Never mow while people, especially children or pets are nearby.
4. Keep in mind that the operator or user is responsible for accidents or hazards occurring to other people or their property.

Preparation

1. While mowing, always wear substantial footwear and long trousers. Do not operate the equipment when barefoot or wearing open sandals.
2. Thoroughly inspect the area where the equipment is to be used and remove all objects which can be thrown by the machine.
3. **WARNING - petrol is highly flammable.**
Store fuel in containers specifically designed for this purpose.
Refuel outdoors only and do not smoke while refueling.
Add fuel before starting the engine. Never remove the cap of the fuel tank or add petrol while the engine is running or when the engine is hot.
If petrol is spilled, do not attempt to start the engine but move the machine away from the area of spillage and avoid creating any source of ignition until petrol vapours have dissipated.
Replace fuel tank and container caps securely.
4. Replace faulty silencers.
5. Before using, always visually inspect to see the blades, blade bolts and cutter assembly are not worn or damaged. Replace worn or damaged blades and bolts in sets to preserve balance.
6. On multi-bladed machines, take care as rotating one blade can cause other to rotate.

Operation

1. Do not operate the engine in a confined space where dangerous carbon monoxide fumes collect.
2. Mow only in daylight or in good artificial light.
3. Avoid operating the equipment in wet grass, where feasible.
4. Always be sure of your footing on slopes.
5. Walk, never run.
6. For wheeled rotary machines, mow across the face of slopes, never up and down.
7. Exercise extreme caution when changing direction on slopes.
8. Do not mow excessively steep slopes.
9. Use extreme caution when reversing or pulling the lawnmower towards you.
10. Stop the blade(s) if the lawnmower has to be tilted for transportation when crossing.
11. Never operate the lawnmower with defective guards or without safety devices, for example deflectors and/or grass catchers, in place.
12. Do not change the engine governor settings or over speed the engine.
13. Disengage all blade and drive clutches before starting the engine.
14. Start the engine or switch on the motor carefully according to instructions and with feet well away from the blade(s).
15. Do not tilt the lawnmower when starting the engine or switching on the motor, except if the lawnmower has to be tilted for starting. In this case, do not tilt it more than absolutely necessary and lift only the part which is away from the operator.
16. Do not start the engine when standing in front of the discharge chute.
17. Do not put hands or feet near or under rotating parts. Keep clear of the discharge opening at all times.
18. Never pick up or carry a lawnmower while the engine is running.
19. Stop the engine and disconnect the spark plug wire, make sure that all moving parts have come to a complete stop and where a key is fitted remove the key:
 - Before clearing blockages or unclogging chute.
 - Before checking, cleaning or working on the lawnmower.
 - After striking a foreign object. Inspect the lawnmower for damage and make repairs before restarting and operating the lawnmower.
 - If lawnmower starts to vibrate abnormally (check immediately).
20. Stop the engine and disconnect the spark plug wire, make sure that all moving parts have come to a complete stop and where a key is fitted remove the key:
 - Whenever you leave the lawnmower.
 - Before refueling.
21. Reduce the throttle setting during engine shut down and if the engine is provided with a shut-off valve, turn the fuel off at the conclusion of mowing.
22. Go slow when using a trailing seat.

IMPORTANT SAFETY INSTRUCTIONS

Maintenance and Storage

1. Keep all nuts, bolts and screws tight to be sure the equipment is in safe working condition.
2. Never store the equipment with petrol in the tank inside a building where fumes can reach an open flame or spark.
3. Allow the engine to cool before storing in any enclosure.
4. To reduce the fire hazard, keep the engine, silencer, battery compartment and petrol storage area free of grass, leaves or excessive grease.
5. Check the grass catcher frequently for wear or deterioration.
6. Replace worn or damaged parts for safety. If the fuel tank has to be drained, this should be done outdoors.

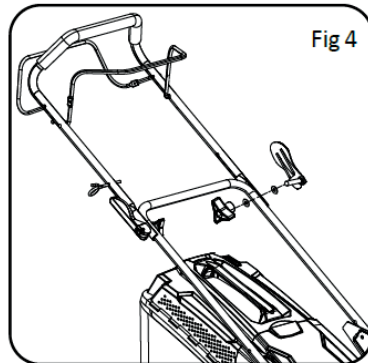
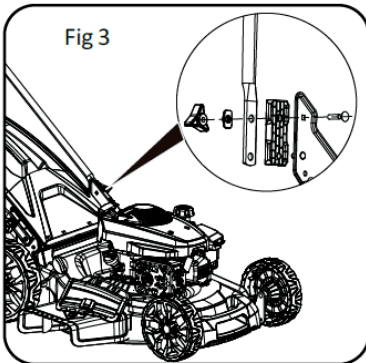
ASSEMBLY

Assembling the handle

1. Fasten the lower handle to The device by using two bolts and two small knobs on each side . As shown in Fig 3.
2. Unfold the upper handle and fix it to the lower handle using the larger knobs and bolts on each side. As shown in Fig 4.

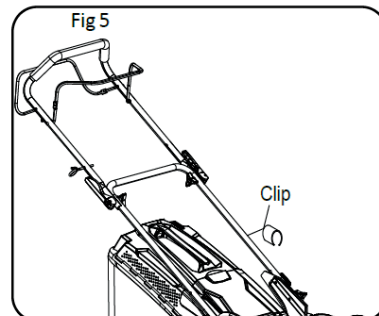


NOTE: Make sure the rope guide is on the right handle, when you stand behind the mower.



Tidy the connection cord

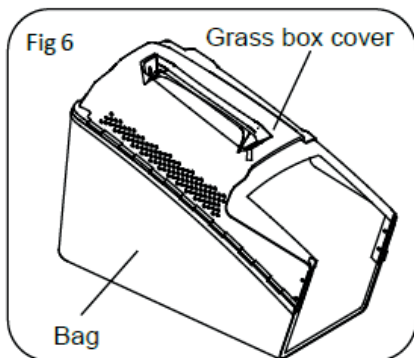
1. As shown in Fig 5. Fix the connection cord to the handle with the cord clip. (supplied)



ASSEMBLY

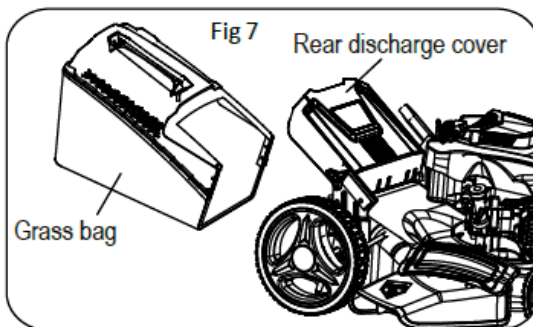
Assembling the grass bag

1. As shown in Fig 6. Clip the plastic clips over the metal frame. Make sure that these clips are fully secured to the metal frame.



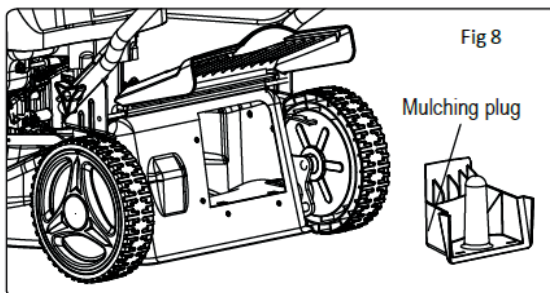
Assembling the grass bag onto the mower

1. As shown in Fig 7. Lift the rear discharge cover with one hand and hook in the grass bag.
2. Release the rear discharge cover to secure the grass bag in position.



Assembling the mulching plug

1. As shown in Fig 8. Remove the grass bag.
2. Push the plastic mulching plug into the discharge chute until its locked in place.
3. Then release the flap, it will close back to cover the mulching plug



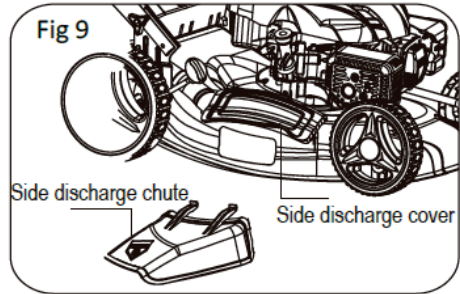
ASSEMBLY

Assembling the side discharge chute.



NOTE When using the side discharge function . First you need to remove the grass bag and plug the mulching plug.

1. Lift the side discharge cover with one hand and hook in the side discharge duct with the other hand.
2. Release the side discharge cover to secure the duct in position.



Checking the engine oil level and filling with engine oil.

As shown in Fig 10 & 11.



CAUTION The following procedures and adjustments must be performed before the engine is started. Do not attempt to make any of these adjustments while the engine is running.



CAUTION To prevent engine damage the engine is shipped without oil or petrol. The engine must be filled with the correct grade of oil and petrol before starting the engine.



NOTE Running the engine with a low oil level will cause engine damage. It is recommended that high detergent, premium quality 4-stroke engine oil is used. Using non-detergent oil can shorten the engine's service life and using 2-stroke oil will damage the engine.

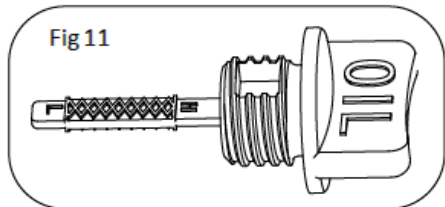
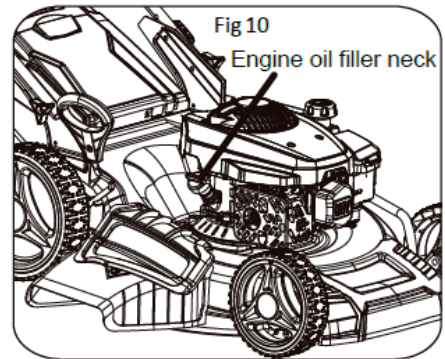


CAUTION Always use high quality detergent oil classified SAE30 oil (or equivalent e.g SAE 10W/30, often termed as 4 Stroke lawn mower oil). Never use additives with recommended oil. To prolong the life of your engine it is important that the oil is changed after the first 5 hours of use.



NOTE To check the engine oil level, stop the engine and place the mower on a level surface.

1. Remove the oil filler dipstick and wipe oil from it with a clean cloth.
2. Insert the dipstick into the oil filler neck, but do not turn it in.
3. Then remove the dipstick and check the oil level . the oil level must be between the Min and Max marks on the dipstick. If near the lower level, fill to upper lever with the recommended oil (SAE30 or equivalent). Do not overfill. Wipe away any spilt oil.
4. Align the ribs of the cap with the groove of the filler neck. Then rotate 1/4 turn to secure it.



ASSEMBLY

Filling with engine fuel

As shown in Fig 12



CAUTION Always use clean, fresh unleaded petrol. Purchase fuel in quantities that can be used within 30 days. Never mix oil with petrol.



CAUTION Do not fill into the base of neck to allow for fuel expansion. Do not overfill the fuel tank.



CAUTION WARNING Petrol is highly flammable and extreme precaution must be taken when handling or working with it. Keep out of reach of children.

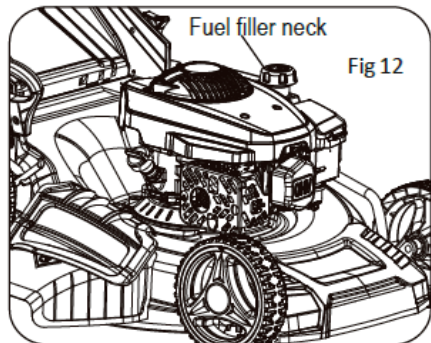


CAUTION To prevent engine damage the engine is shipped without oil or petrol. The engine must be filled with the correct grade of oil and petrol before starting the engine.



CAUTION Refuel in a well-ventilated area with the engine stopped. Do not smoke or allow flame or sparks in the area where the engine is refueled or where petrol is stored. Avoid repeated or prolonged contact with skin or inhalation of vapour.

1. Clean the area around the petrol filler cap before removing the cap. Remove the warning tag and check the fuel level.
2. Refill the tank if the fuel level is low
3. Refuel carefully to avoid overfilling or spillin fuel. There should be no fuel in the filler neck.
4. Clean up any overflow or splashes of petrol before starting the engine.
5. Tighten the filler cap after filling, finger tight.



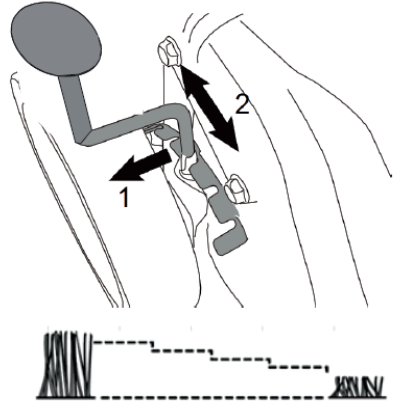
ADJUSTMENT

Setting the cutting height



CAUTION Adjust the cutting height only when the engine is switched off the spark plug boot has been pulled out.

1. The cutting height is centrally adjusted with the cutting height adjusting handle. Different cutting heights can be selected. Pull the adjusting handle out and select the desired cutting height. The handle snaps into the desired position. From position 1 to position 7.



OPERATION

Start and stop the engine



WARNING The blade begins to rotate as soon as the engine is started.



NOTE Do not operate the machine in enclosed or poorly ventilated areas as the exhaust gas contains toxic substance. Keep hands, feet, hair and clothing away from all the moving parts of the machine. The exhaust and other parts of the machine will become hot during use. Make sure that the blade is securely fastened before starting the engine.



NOTE To start the engine, make sure that the spark plug boot is located on the plug and the machine is filled with sufficient oil and petrol.

OPERATION

To start the engine.

As shown in Fig 14-16.

1. When starting a cold engine, press down the primer fully 3 times. (For lawnmower with throttle control it is required to put the throttle control lever on the START position before starting).



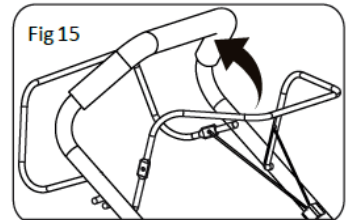
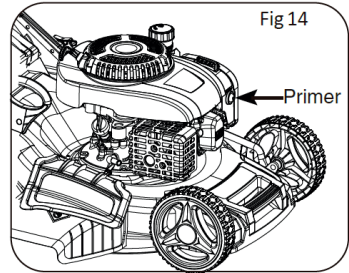
WARNING Too many presses of the Primer may cause the engine to flood. When starting a warm engine, the primer does not need to be used. If the engine stops due to a lack of petrol, refill and press the primer 3 times.

2. Stand behind the mower. Pull the engine Start/stop lever toward upper handle with one hand and place the other hand on the starter handle.
3. Pull the starter handle out approx 10-15cm until you feel a resistance and then start the engine with a sharp pull .on the START position before starting.)



NOTE If the engine fails to start after three pulls, repeat the process.

4. Once the engine is running, put the starter rope into the rope guide. As shown on Fig 16.



To stop the engine.

As shown in Fig 17.

Release the engine start/stop level, it will return to its initial position, the engine will automatically switch off.

To stop the engine.



NOTE If the engine won't start after you have operated the starter several times , the engine may be flood with excess fuel . Use following procedure to clear and start a flooded engine.

1. Release the engine start/stop lever to stop engine.
2. Remove the spark plug, dry it and then reinstall it.



NOTE Install the spark plug carefully by hand, to avoid cross-threading. After the plug is seated tighten 1/8 to 1/4 turn with socket spanner of spark plug to compress the washer.

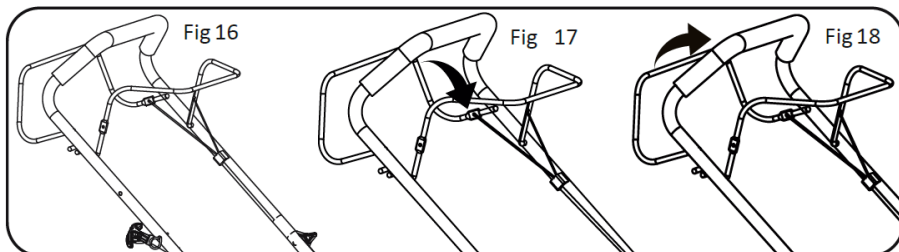
3. Pull the engine start/stop lever toward upper handle.
4. Operate the starter as described above.

OPERATION

Using the Self-propelled function.

As shown in Fig 18.

This unit is equipped with self-propelled system. If you press the drive lever (clutch lever), the clutch for the drive will be closed and the lawnmower will start to move with the engine running. To stop the moving lawnmower, just release the drive lever.



WARNING Always observe the strictest safety procedures when using the lawnmower. Carefully read the safety instructions of this manual before using the lawnmower.



WARNING Never open the ejector flap when the grass bag has been detached (to be emptied) and the engine is still running. The rotating blade can cause serious injuries!

1. Select your required setting.
2. Start the engine and allow it run and set it to required speed.
3. Keep a firm grip on the upper handle with the engine stop/start lever and drive lever (clutch lever) closed and walk along with it self-propelling to start mowing.

Working Advices.

1. Walk, never run with the mower, be very careful when mowing uneven or rough ground.
2. Mow across slopes, never up and down.
3. Be careful when changing the direction of the mower on a slope.
4. Do not mow excessively steep slopes.
5. The best result will be achieved if the grass is dry. Wet grass will tend to clog the blade and the grass collection system.
6. Grass grows at different rates at different time of the year. Never use the lowest cutting height for the first cut of the season or in drought conditions.
7. Only about one thirds of the grass height should be cut.
8. When mowing with mulching, to ensure that the cut grass can be scattered efficiently, do not cut high or wet grass. When you have been cutting for several minutes, please stop the mower, and clean the blade and the deck.
9. Do not remove grass debris in the mower casing or on the blade by hand or with your feet. Instead use suitable tools such as a brush or broom.

OPERATION

Emptying the grass bag.

As soon as grass clippings start to trail the lawn mower, it is time to empty the grass bag.



NOTE Before taking off the grass bag, switch off the engine and wait until the blade has come to a complete stop.

1. To take off the grass bag, use one hand to lift up the ejector flap and the other to grab onto the carry handle. The ejector flap automatically falls down after removing the grass bag and closes off the rear chute opening.
2. Empty the grass debris in the grass bag, and refill the grass bag.



NOTE If any grass residue is caught in the discharge chute, clean it using a brush. Do not remove grass debris in the mower casing or on the blade by hand or with your feet. Instead use suitable tools such as a brush or broom. To ensure that the cut grass can be collected into the grass bag, the discharge opening and inside the mower casing must be cleared of any blockage.

STORING AND MAINTENANCE.



WARNING Before performing any maintenance or cleaning work, switch off the engine and wait until the blade has come to a complete stop.

General Cleaning.

The lawn mower should be cleaned thoroughly every time after it has been used. Always clean your lawnmower immediately after use.

Do not allow grass cuttings and other debris to become dry and hard on any of the mower surfaces.

Dried grass remnants and dirt may impair the mowing operation.

Check that the grass chute is free of any residual grass. Remove any such residue. Check the underside of the lawn mower and the blade mount. For this purpose, tilt the lawnmower onto its left side (opposite the oil filler neck).

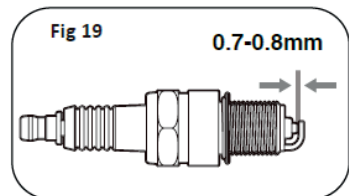


NOTE Before placing the lawn mower on its side, fully drain the fuel tank using a petrol extraction pump. Do not tilt the lawn mower by more than 90 degrees.

Maintenance of the spark plug.

As shown in Fig 19.

1. Once the engine has cooled, pull off the spark plug with a twist.
2. Remove the spark plug using a spark plug wrench.
3. Clean the spark plug with a wire brush (not supplied).
4. Using a feeler gauge set the gap to 0.75mm.
5. Install the spark plug carefully by hand, to avoid cross-threading.
6. After the spark plug is seated, tighten with the spanner to compress the washer.



STORING AND MAINTENANCE

How to Service the Air Filter

As shown in Fig 20-22.

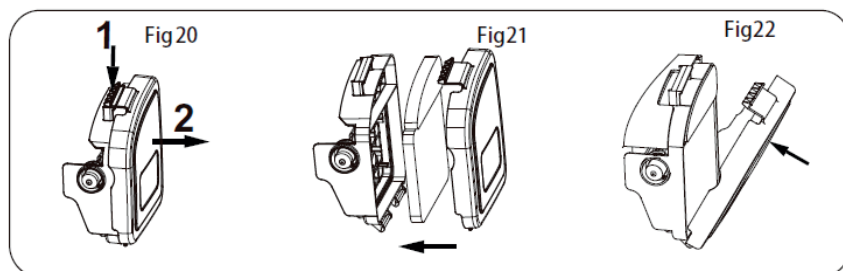
Soiled air filters reduce the engine output by supplying too little air to the carburetor. If the air contains a lot of dust, the air filter should be checked more frequently.



WARNING Never run the engine without the air filter element installed.

1. Remove the air cleaner outside cover. Be careful to prevent dirt and debris from falling into the air cleaner assembly.
2. Separate the Air Filter from the Air Filter Housing.
3. Inspect the air filter. Clean dirty air filter with warm water and mild soap. Allow air filter to dry thoroughly before re-installation.
4. Install the air filter assembly onto the carburetor and secure with screw.

NOTE Do not use pressurised air or solvents to clean the filter. Pressurised air can damage the filter and solvents will dissolve the filter.



Changing the engine oil.

Tilt the lawnmower towards the oil filler, have a container ready to catch the oil and remove the dipstick. Once the oil has been emptied, replace the dipstick and wipe clean any spillages.

Refill with 400ml SAE30 oil or equivalent i. e SAE5W/30, SAE10W/30. When the dipstick is rested on the filler pipe (i. e . not turn in pace), the oil level must be between the min and max marks on the dipstick.

See "Checking the engine oil level and filling with engine oil"

Start the engine and allow it to run briefly.

Stop the engine, wait one minute and check the oil level. Top up if necessary.

STORING AND MAINTENANCE

How to Service the Air Filter

For safety reasons you should only ever have your blade sharpened, balanced and mounted by an authorised service workshop. For optimum results it is recommended that the blade should be inspected once a year.



WARNING Before you remove the grass collection bag, stop the engine and wait until the blade stops completely.



WARNING You will need garden gloves (not provided) and a spanner wrench (not provided) to remove the blade.



NOTE Don't invert the mower. Tip it slightly towards the oil filler pipe and reach under the deck.



WARNING Always handle the blade with care, sharp edges could cause injury USE GLOVES. Renew your metal blade after 50Hrs mowing or 2 yrs whichever is sooner regardless of condition.



WARNING If the blade is cracked or damaged replace it with a new one.

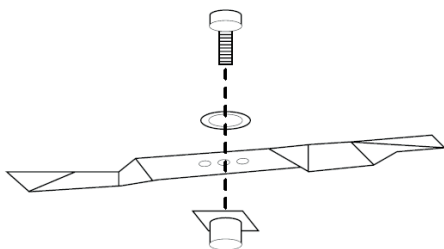


WARNING Don't hold the blade by hand directly.



NOTE Maintain the sharpness of the blade when cutting grass. If the blade has worn excessively and become pitted and blunt, it should be replaced or sharpened. The sharpness of the blade will affect the performance of the lawnmower.

Fig 23



STORING AND MAINTENANCE

Storing the Lawnmower for Short Periods

The lawnmower can be stored for short periods of time (less than 15 days) without performing any storage maintenance. Before placing the lawnmower into storage always carry out the following:

1. Allow the engine to fully cool.
2. Ensure the grass bag is empty.
3. Clean all debris from under the mower deck.
4. Store the lawnmower on flat and level surface with the mower upright.
5. Store in a safe place which is not accessible by children or people who are not familiar with operation.

Storing the Lawnmower for Extended Periods

If the lawnmower is to be placed into storage for more than 15 days, storage maintenance must be performed on the lawnmower. If the following steps are not carried out, when you next operate the lawnmower it may not start correctly and may need to be serviced.



CAUTION Do not empty the petrol tank in enclosed areas, near fire or when smoking. Petrol fumes can cause explosions and fire.

1. Empty the petrol tank with a petrol suction pump if available.
2. Start the engine and let it run until any remaining petrol has been used up.
3. Change the oil at the end of every season. To do so, remove the used engine oil from a warm engine and refill with fresh oil
4. Clean the cooling fins of the cylinder and the housing
5. Be sure to clean the entire machine to protect the paint.
6. Store the machine in a well-ventilated place.

Maintenance Schedule

Performing routine maintenance correctly on your lawnmower will ensure you get years of trouble free use.

Please keep this manual safe for future reference.

It is recommended that the following maintenance schedule is adhered to. This will ensure the lawnmower operates correctly and is safe to use.

	12 hours of use	24 hours of use	36 hours of use
Air filter	Clean	Clean	Replace
Spark plug	Check	Clean	Replace
Engine oil	Check	Replace	Check

The engine oil should be changed after the first 5 hours.

Transport

Empty the petrol tank

Always let the engine run until it has used up the remainder of petrol in the tank.

Empty the engine oil from the warm engine.

Remove the spark plug boot from the spark plug.

Clean the cooling fins of the cylinder and the housing.

Use the original packaging to ship whenever possible.

TROUBLESHOOTING



WARNING Before performing any maintenance or cleaning work, switch off the engine and wait until the blade has come to a complete stop.



CAUTION Improper repairs can result in the product functioning unsafely. This endangers yourself and your environment. Faults which cannot be rectified with the aid of the following table may be rectified by a specialist company only (customer service center). Please be aware that any improper repairs will also invalidate the warranty and additional costs may be incurred. Use only genuine spare parts. Only these spare parts are designed and suitable for the product. The use of other spare parts voids the warranty, you can also endanger yourself and your environment.

Fault/malfunction	Cause	Remedy
Loud while running machine vibrates heavily	Screws are loose	Check screws
	Blade Fasteners are loose	Check blade fasteners
	Blade is unbalanced	Replace blade
Engine does not start	Start/stop lever not pressed	Press start/stop lever
	Spark plug is defective	Replace spark plug
	The cutting blade is worn or damaged	Replace it by the customer service center
	Fuel tank is empty	Refill with fuel
Engine runs unsteadily	Air filter is soiled	Clean the air filter
	Spark plug is soiled	Clean the spark plug
Uneven mowing results	Blade is blunt	Sharpen the blade
	Cutting height is too low	Set correct height
Grass Bag is not filled sufficiently	Blade is worn	Replace the blade
	Grass bag is clogged	Empty the grass bag
	Cutting height isn't right	Correct the cutting height
	The lawn/grass is wet	Allow the lawn to dry
	Has the discharge channel been blocked ?	Clean the discharge channel
	Has the underside of the mower deck been clogged?	Clean the underside of the mower deck

EC DECLARATION OF CONFORMITY

1. Product model: SSPPL53

2. Name and address of the manufacturer or his authorised representative:



SGS Engineering (UK) Ltd
Unit 1 West Side Park, Raynesway, Derby, DE21 7AZ
Telephone: +44 (0)1332 576 850

3. This declaration of conformity is issued under the sole responsibility of the manufacturer.

4. Object of the declaration:

Equipment: 53cm Self-Propelled Petrol Lawn Mower
Brand name: SGS

5. The object of the declaration described above is in conformity with the relevant statutory requirements:

2006/42/EC Machinery Directive
2016/1628/EU Regulation Gaseous and Particulate Pollutant Emission Limits
2000/14/EC Outdoor Noise Directive amended by 2005/88/EC
2014/30/EU Electromagnetic Compatibility

6. References to the relevant designated standards used or references to the other technical specifications in relation to which conformity is declared:

EN ISO 5395-1:2013/A1:2018
EN ISO 5395-2:2013/A2:2017
EK9-BE-52(v4):2020
EK9-BE-91(v5):2022
EK9-BE-98(v2):2020
AfPS GS 2019:01 PAK

7. The person authorized to compile the technical file:

Name: Neil Sansom

Address: SGS Engineering (UK) Ltd, Unit 1 West Side Park, Raynesway, Derby, DE21 7AZ

Signed for and on behalf of:

Authorised Representative

A handwritten signature in black ink, appearing to read 'Neil Sansom', written over a horizontal line.

Neil Sansom, CEO
Date: 14/11/2025

